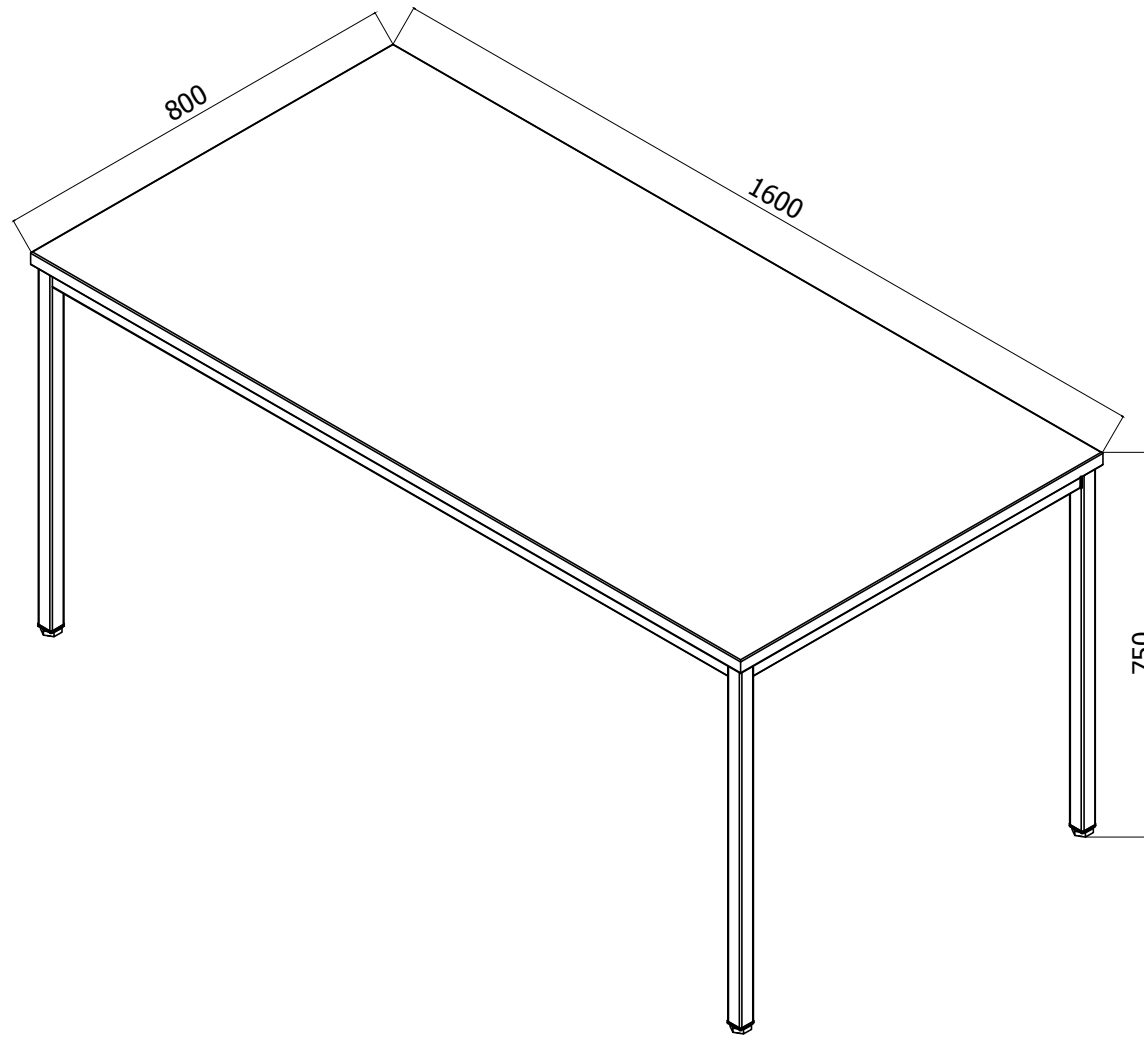


4

3

2

1



| DATE<br>TARİH  | REVISION<br>REVİZYON | EXPLANATION<br>AÇIKLAMA | APPROVED BY<br>ONAY | DRAWN BY<br>ÇİZEN     | DATE/ TARİH | SIGNATURE<br>İMZA | PRODUCT NAME/ÜRÜN ADI: 41 137    | CUTTING MEASURES/KESİM ÖLÇÜLERİ   |
|--|----------------------|-------------------------|---------------------|-----------------------|-------------|-------------------|----------------------------------|-----------------------------------|
|  |                      |                         |                     | B.SANDALYA            | 07/08/2014  |                   | PM-160x80                        |                                   |
|  |                      |                         |                     | CHECKED BY<br>KONTROL | 07/08/2014  |                   | PIECE NAME/PARÇA ADI:<br>MONTRES | PIECE OF DRAW SIZE/PARÇA RESİM NO |
|  |                      |                         |                     | O.KARMA               |             |                   |                                  |                                   |
| UNLESS OTHERWISE SPECIFIED THE TOLERANCE VALUE IS $\pm 0,2$ MM<br>TOLERANSI VERİLMEYEN TÜM ÖLÇÜLERDE TOLERANS DEĞERİ $\pm 0,2$ MM DIR. |                      |                         |                     | APPROVED BY<br>ONAY   | 07/08/2014  |                   | <b>İCeha</b>                     | REVISION/REVİZYON                 |
|  |                      |                         |                     | E.SÖNMEZ              |             |                   |                                  | SCALE/ÖLÇEK                       |

4

3

2

1