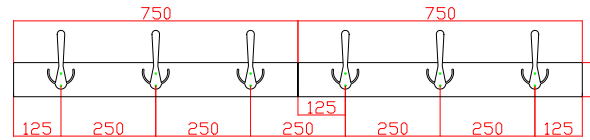
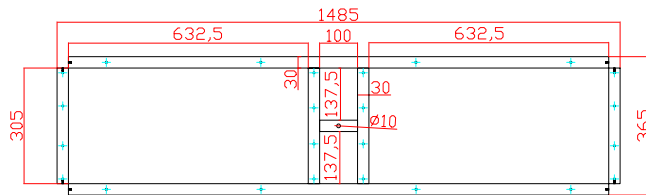
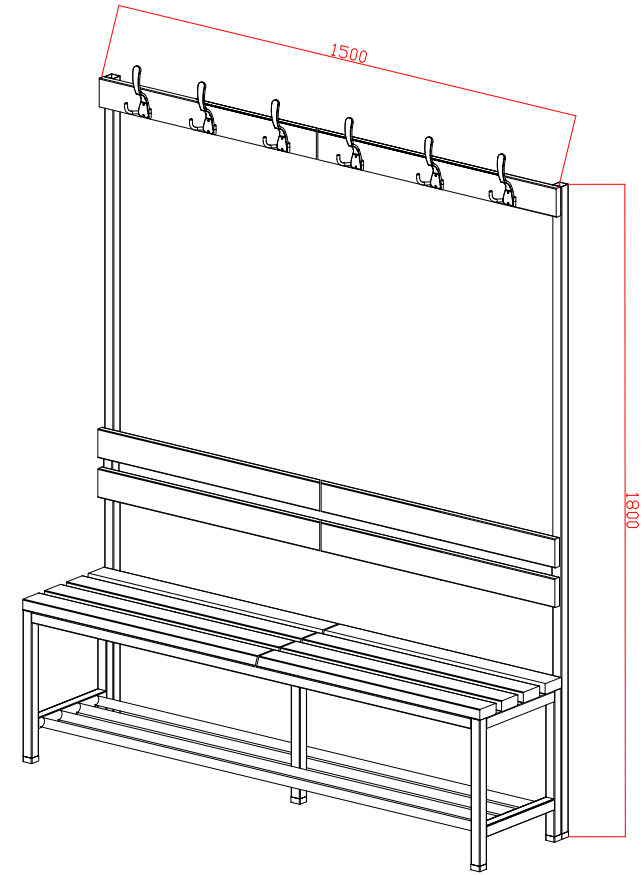
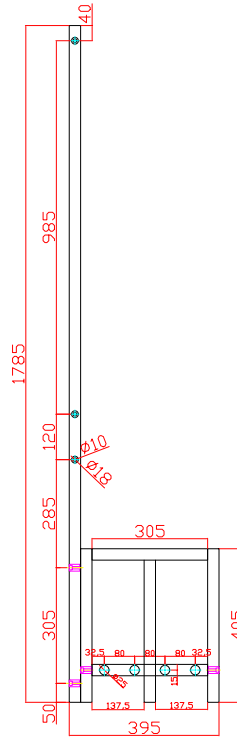
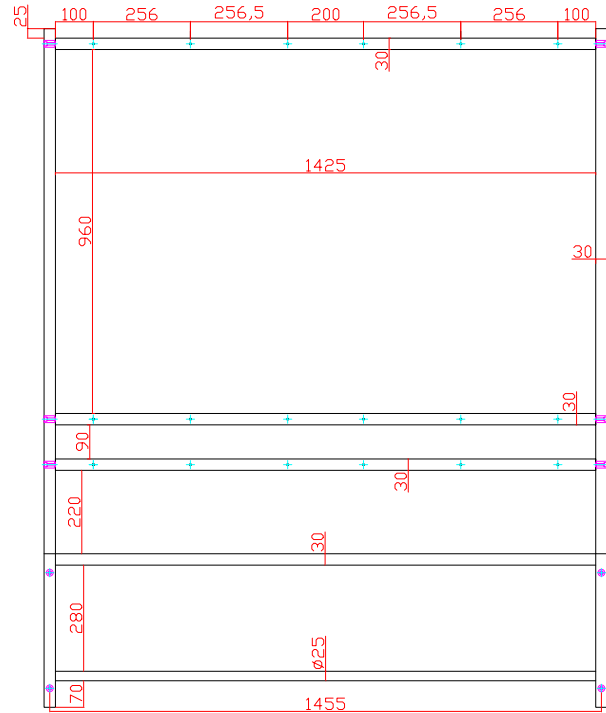



4

3

2

1



| DATE TARİH | REVISION REVİZYON | EXPLANATION AÇIKLAMA | APPROVED BY ONAY | DRAWN BY ÇİZEN | DATE/ TARİH | SIGNATURE İMZA | PRODUCT NAME/ÜRÜN ADI: | CUTTING MEASURES/KESİM ÖLÇÜLERİ | |
|--|----------------------|-------------------------|---------------------|-----------------------|-------------|-------------------|---|-----------------------------------|-------------|
| | | | | B.SANDALYA | 08/05/2012 | | 26 212 CB-ASK2-180/150 | | |
| | | | | CHECKED BY KONTROL | 08/05/2012 | | PIECE NAME/PARÇA ADI: MONTRES | PIECE OF DRAW SIZE/PARÇA RESİM NO | |
| | | | | O.KARMA | | | | | |
| UNLESS OTHERWISE SPECIFIED THE TOLERANCE VALUE IS ±0,2 MM TOLERANSI VERİLMEYEN TÜM ÖLÇÜLERDE TOLERANS DEĞERİ ±0,2 MM DIR. | | | | APPROVED BY ONAY | 08/05/2012 | |  | REVISION/REVİZYON | SCALE/ÖLÇEK |
| | | | | A.ÖZDEN | | | | | |

4

3

2

1