

4

3

2

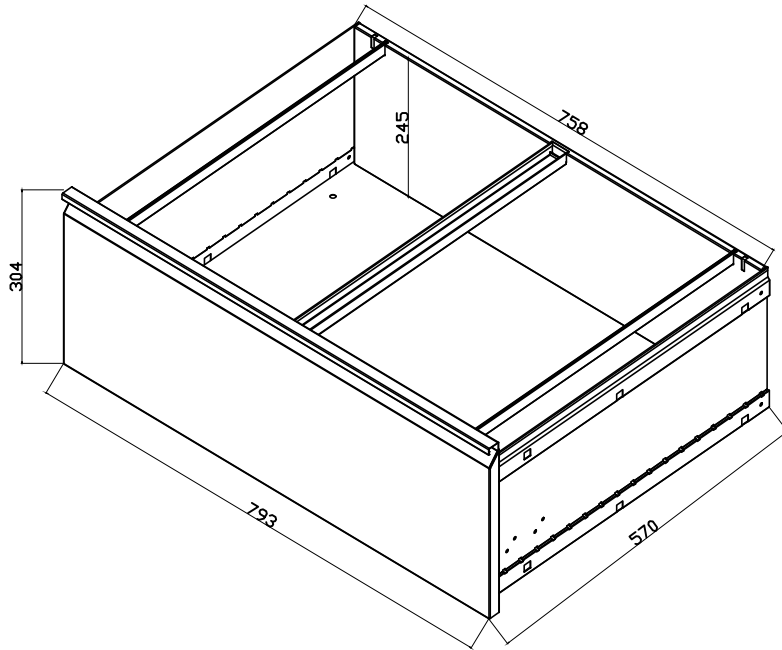
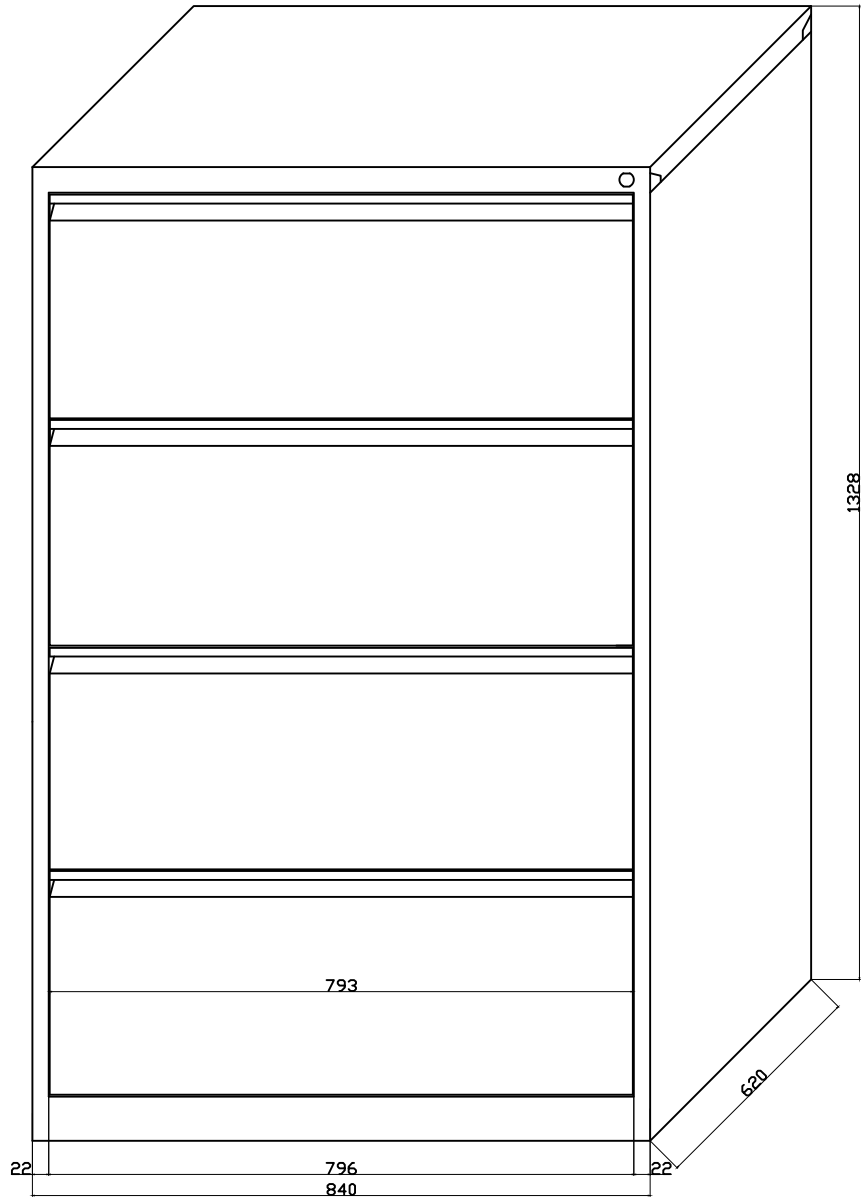
1


D

C

B

A



DRAWN BY ÇİZEN	DATE/ TARİH	SIGNATURE İMZA	PRODUCT NAME/ÜRÜN ADI: 52 703	CUTTING MEASURES/KESİM ÖLÇÜLERİ	
G.BARAN	12/11/2007		CHW2-130		
CHECKED BY KONTROL	14/11/2007		PIECE NAME/PARÇA ADI:	PIECE OF DRAW SIZE/PARÇA RESİM NO	
A.ERDOĞAN			MONTRES		
APPROVED BY ONAY	16/11/2007			REVISION/REVİZYON	SCALE/ÖLÇEK
A.ÖZDEN					

4

3

2

1