

4

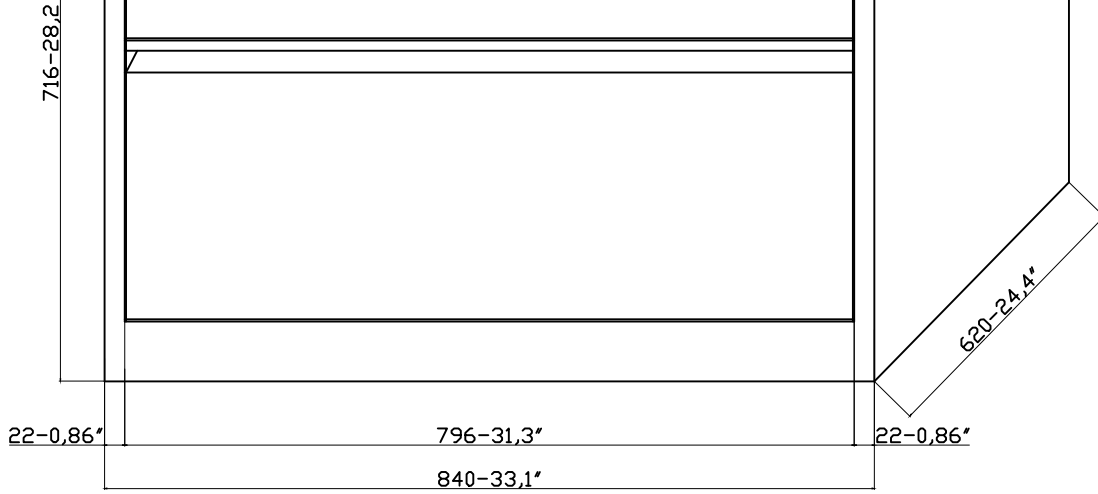
3

2

1

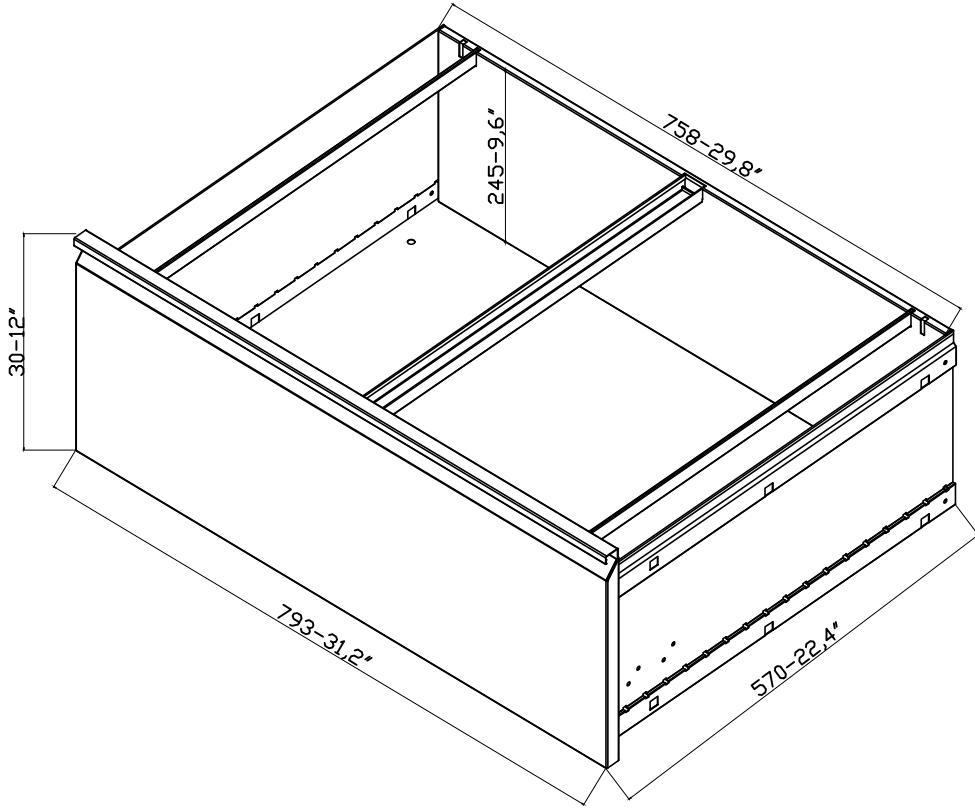
D


C



B

A



DRAWN BY ÇİZEN	DATE/ TARİH	SIGNATURE İMZA	PRODUCT NAME/ÜRÜN ADI: 52 701	CUTTING MEASURES/KESİM ÖLÇÜLERİ	
G.BARAN	12/11/2007		CHW2-70		
CHECKED BY KONTROL	14/11/2007		PIECE NAME/PARÇA ADI: MONTRES	PIECE OF DRAW SIZE/PARÇA RESİM NO	
A.ERDOGAN					
APPROVED BY ONAY	16/11/2007			REVISION/REVIZYON	SCALE/ÖLÇEK
A.ÖZDEN					

4

3

2

1