

4

3

2

1

D

D

C

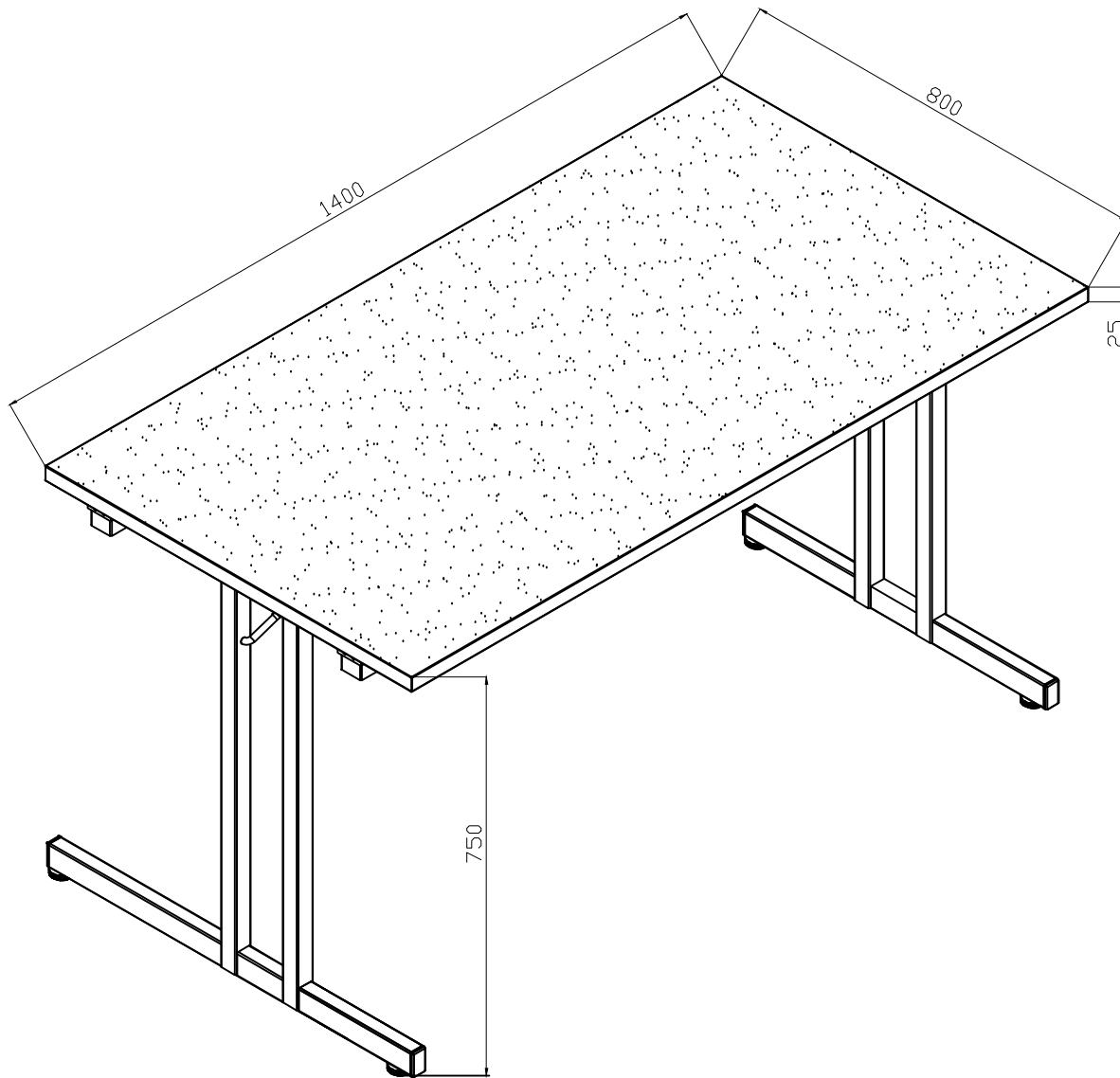
C

B

B

A

A



DATE TARİH	REVISION REVİZYON	EXPLANATION AÇIKLAMA	APPROVED BY ONAY	DRAWN BY ÇİZEN	DATE/ TARİH	SIGNATURE İMZA	PRODUCT NAME/ÜRÜN ADI: 44 248 Km2-140-80-75-T25	CUTTING MEASURES/KESİM ÖLÇÜLERİ	
				B.SANDALYA	07/03/2022				
				CHECKED BY KONTROL	07/03/2022		PIECE NAME/PARÇA ADI: MONTRES	PIECE OF DRAW SIZE/PARÇA RESİM NO	
				APPROVED BY ONAY	07/03/2022			REVISION/REVİZYON	SCALE/ÖLÇEK
				A.ÖZDEN					

4

3

2

1

A

A