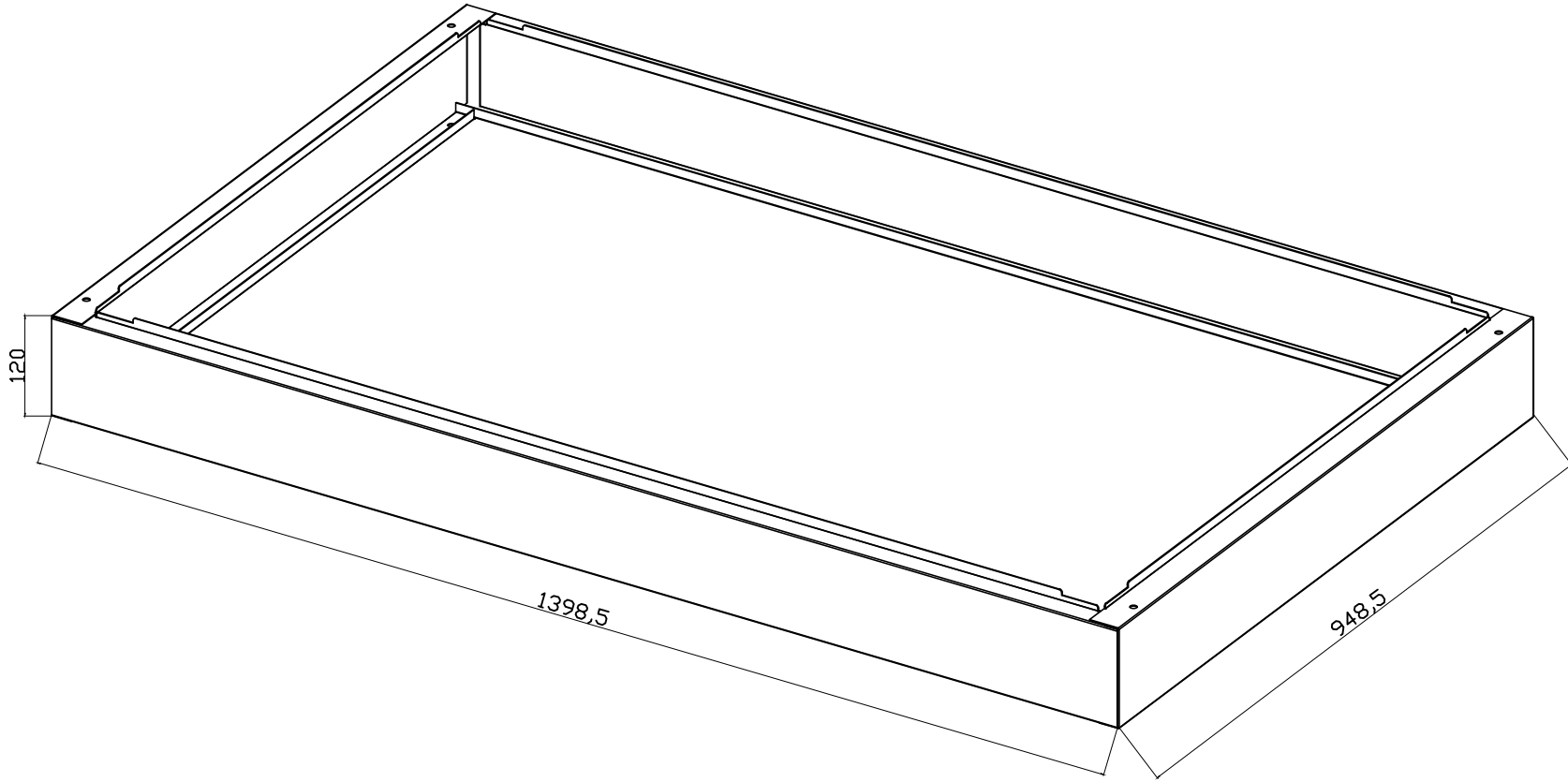



4

3

2

1



				DRAWN BY ÇİZEN	DATE/ TARİH	SIGNATURE İMZA	PRODUCT NAME/ÜRÜN ADI: 45 213	CUTTING MEASURES/KESİM ÖLÇÜLERİ	
				A.E.CINAR	07/03/2008		HKA - 140/2		
				CHECKED BY KONTROL	09/03/2008		PIECE NAME/PARÇA ADI: MONTRES	PIECE OF DRAW SIZE/PARÇA RESİM NO	
DATE TARİH	REVISION REVİZYON	EXPLANATION AÇIKLAMA	APPROVED BY ONAY	A.ERDOGAN					
UNLESS OTHERWISE SPECIFIED THE TOLERANCE VALUE IS $\pm 0,2$ MM TOLERANSI VERİLMEYEN TÜM ÖLÇÜLERDE TOLERANS DEĞERİ $\pm 0,2$ MM DİR.				APPROVED BY ONAY	11/03/2008			REVISION/REVİZYON	SCALE/ÖLÇEK
				A.ÖZDEN					

4

3

2

1